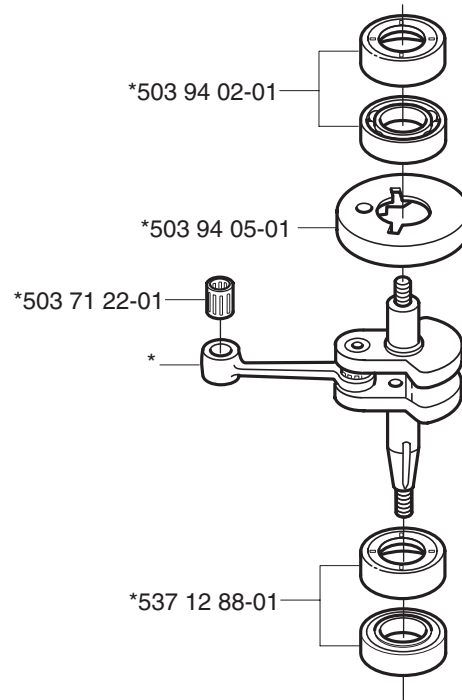
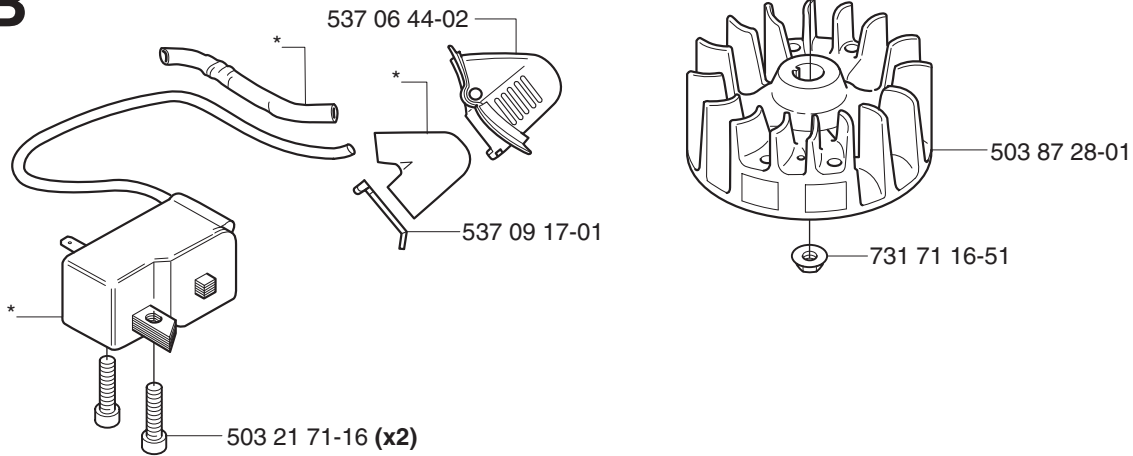
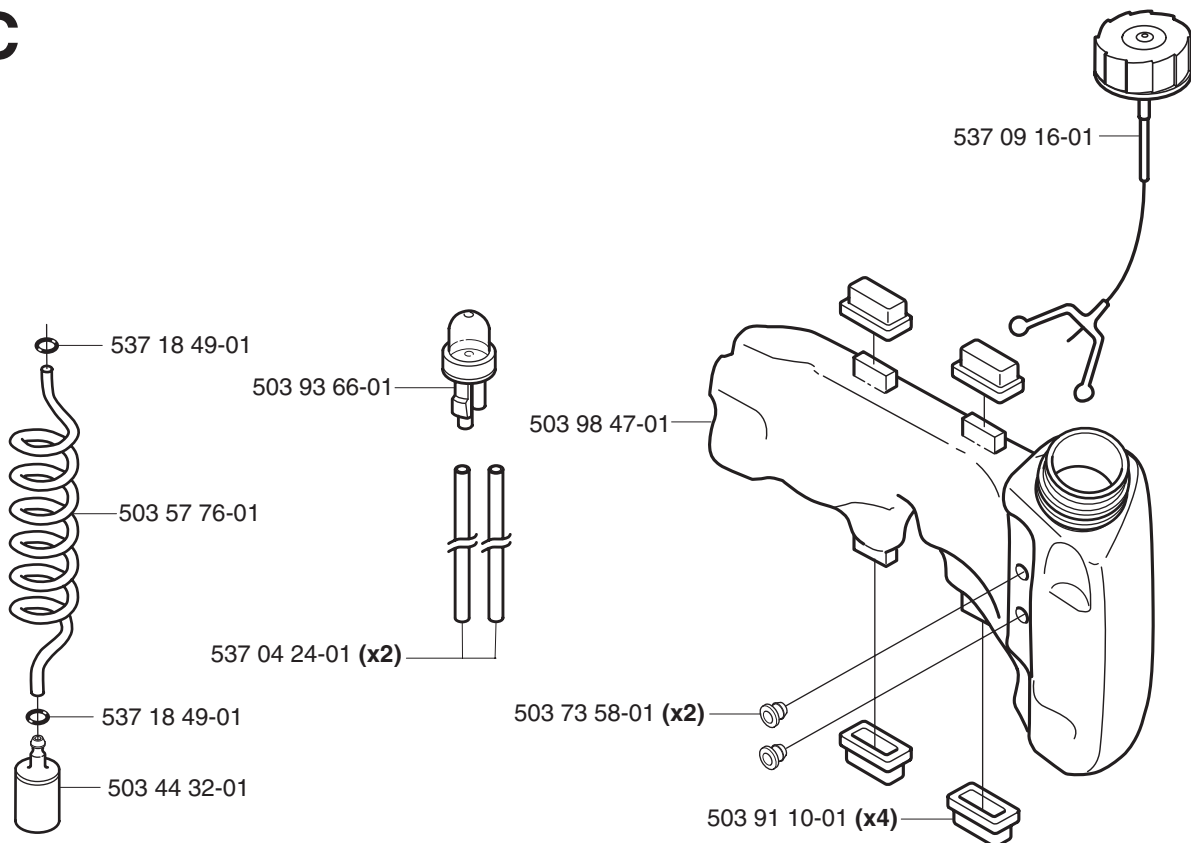
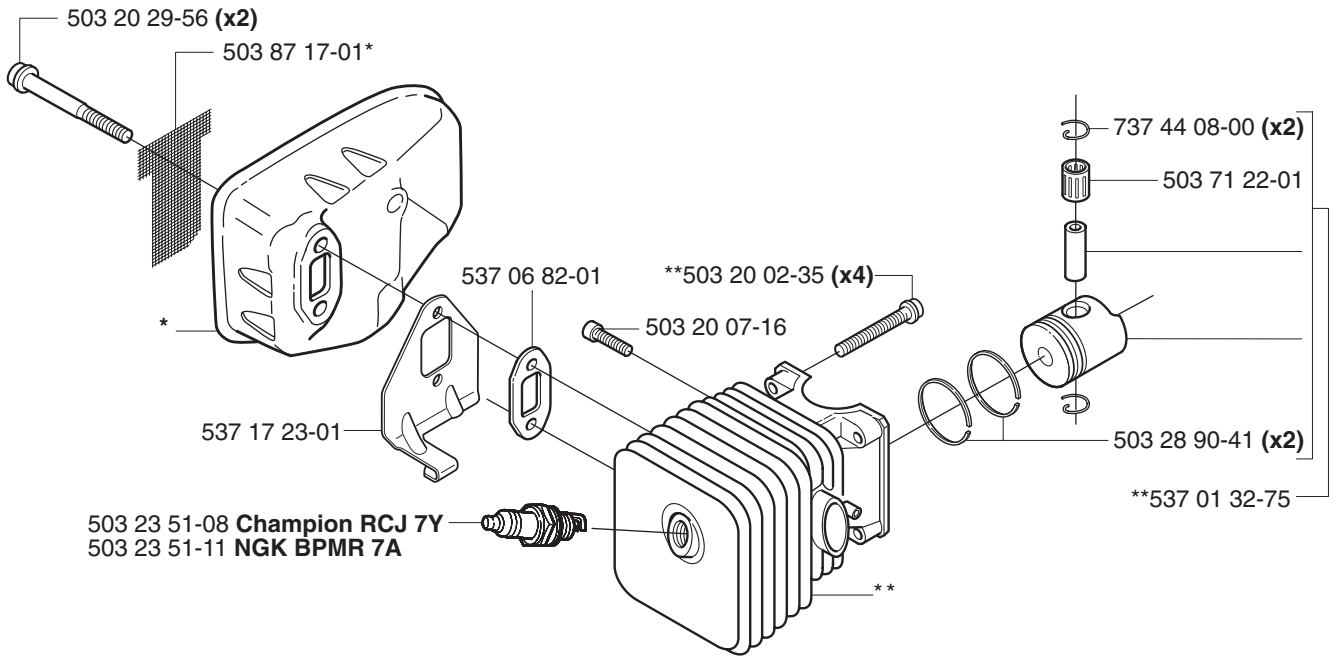


A***compl 537 12 81-73****B*****compl 537 02 53-01****C**

D

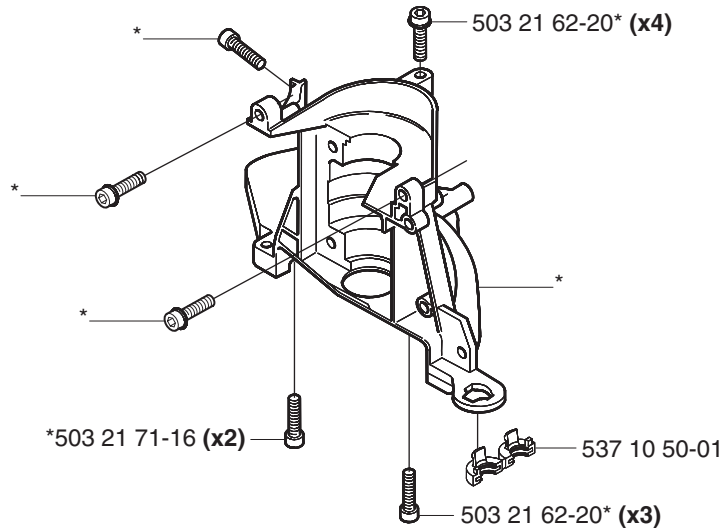
*compl 537 04 57-01

**compl 537 03 20-05

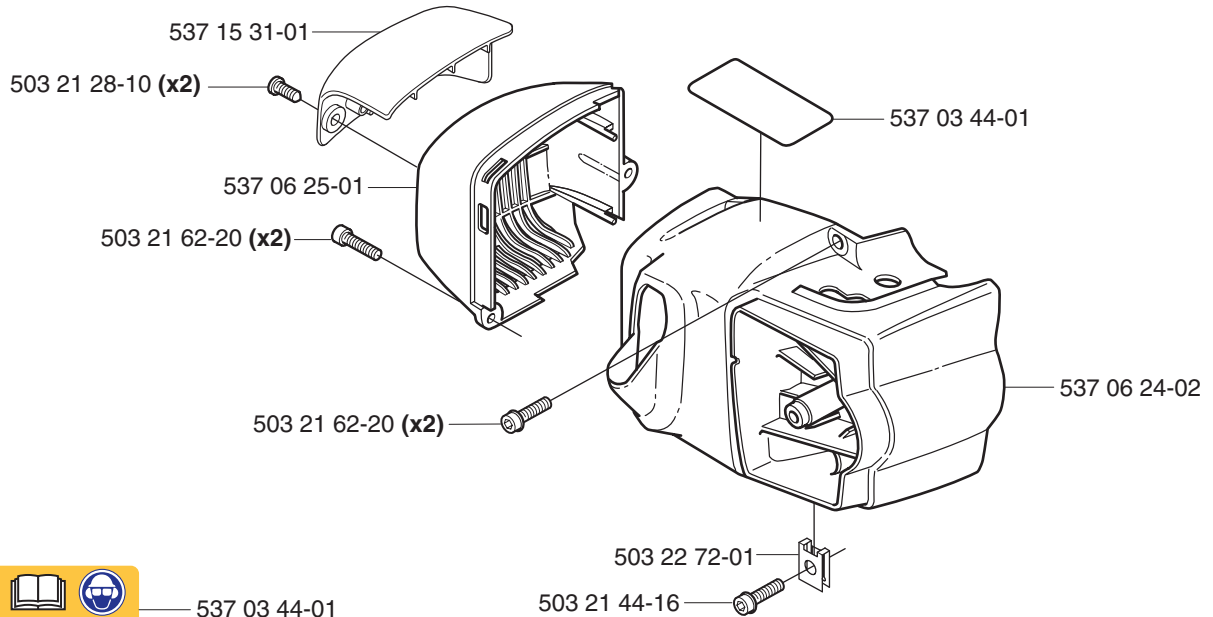


E

*compl 537 04 11-01

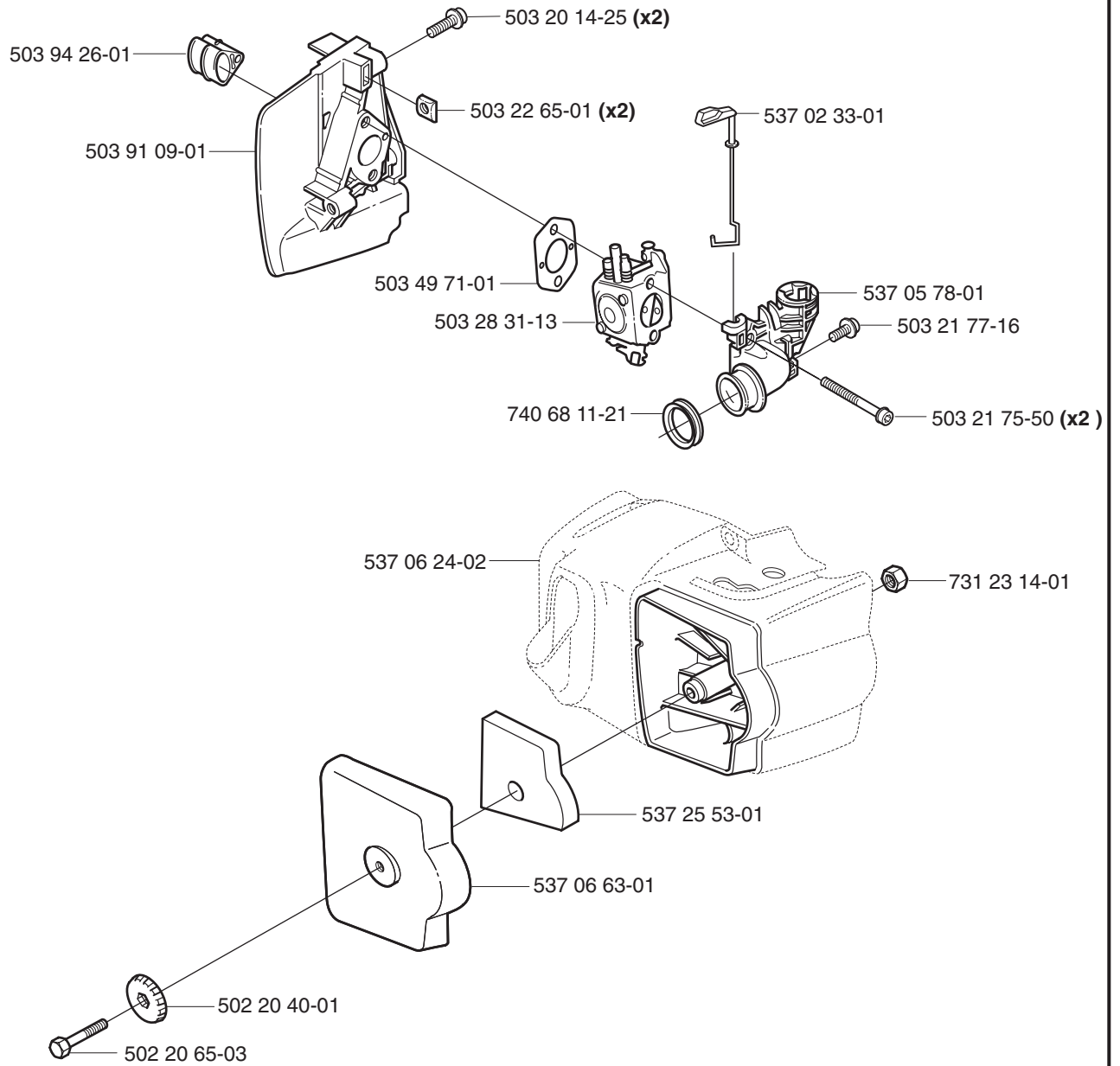


F



537 03 44-01

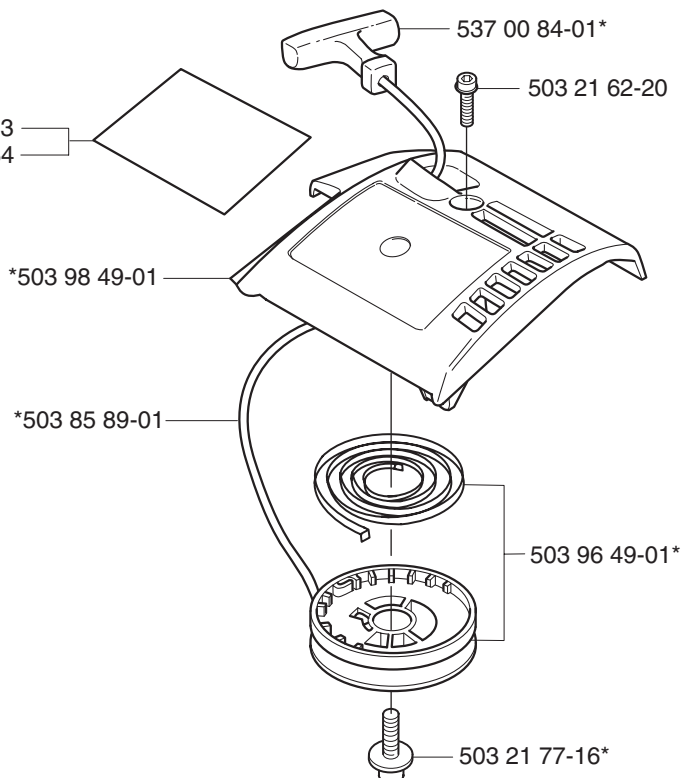
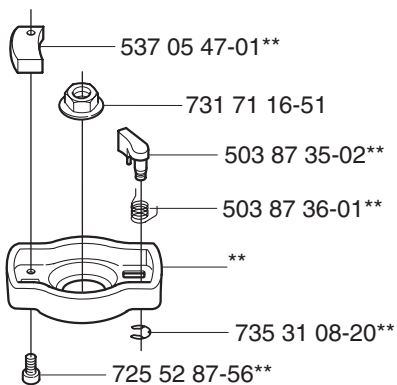
503 21 44-16

G**H**

*compl 503 85 28-02

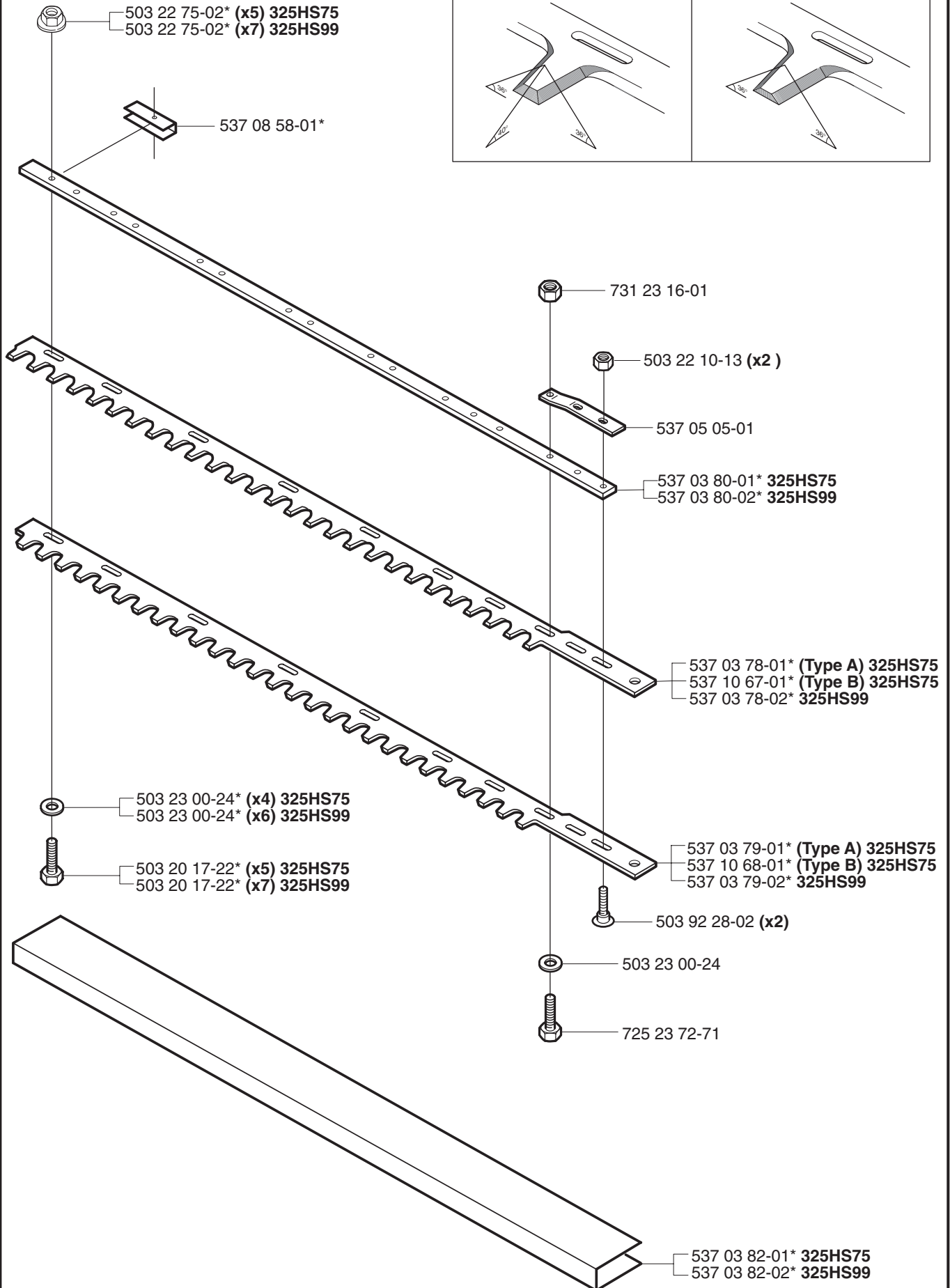
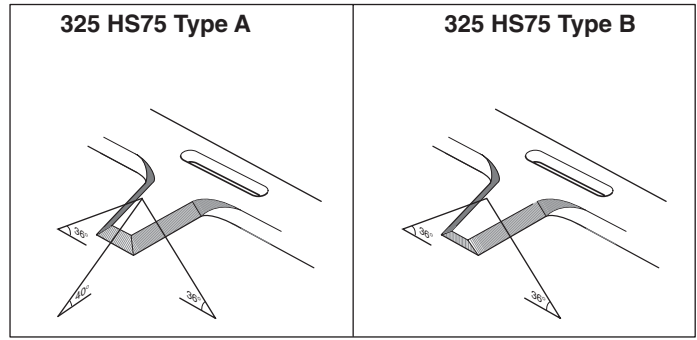
503 97 98-33 **325HS75**503 97 98-33
503 97 98-34503 97 98-34 **325HS99**

**compl 503 87 33-03



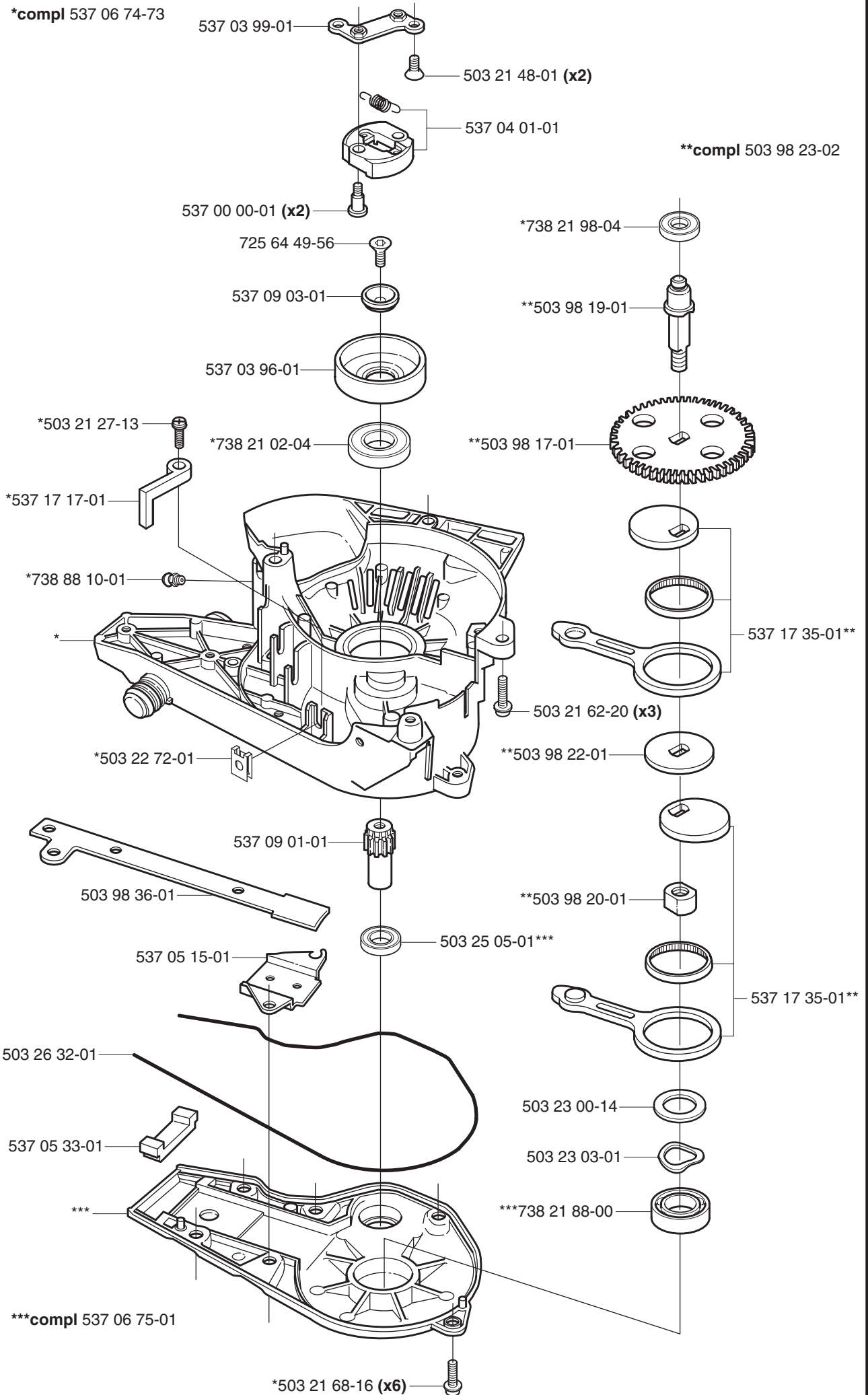
J

*compl 537 03 77-01 (Type A) 325HS75
*compl 537 03 77-03 (Type B) 325HS75
*compl 537 03 77-02 325HS99



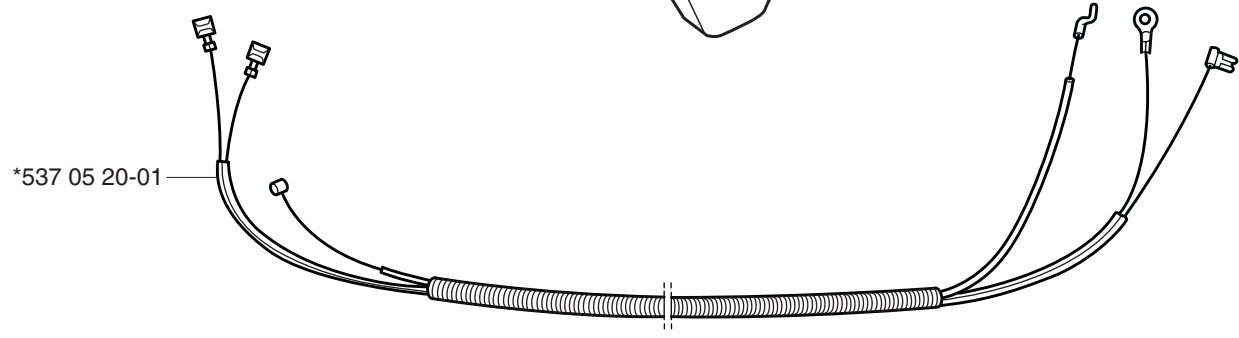
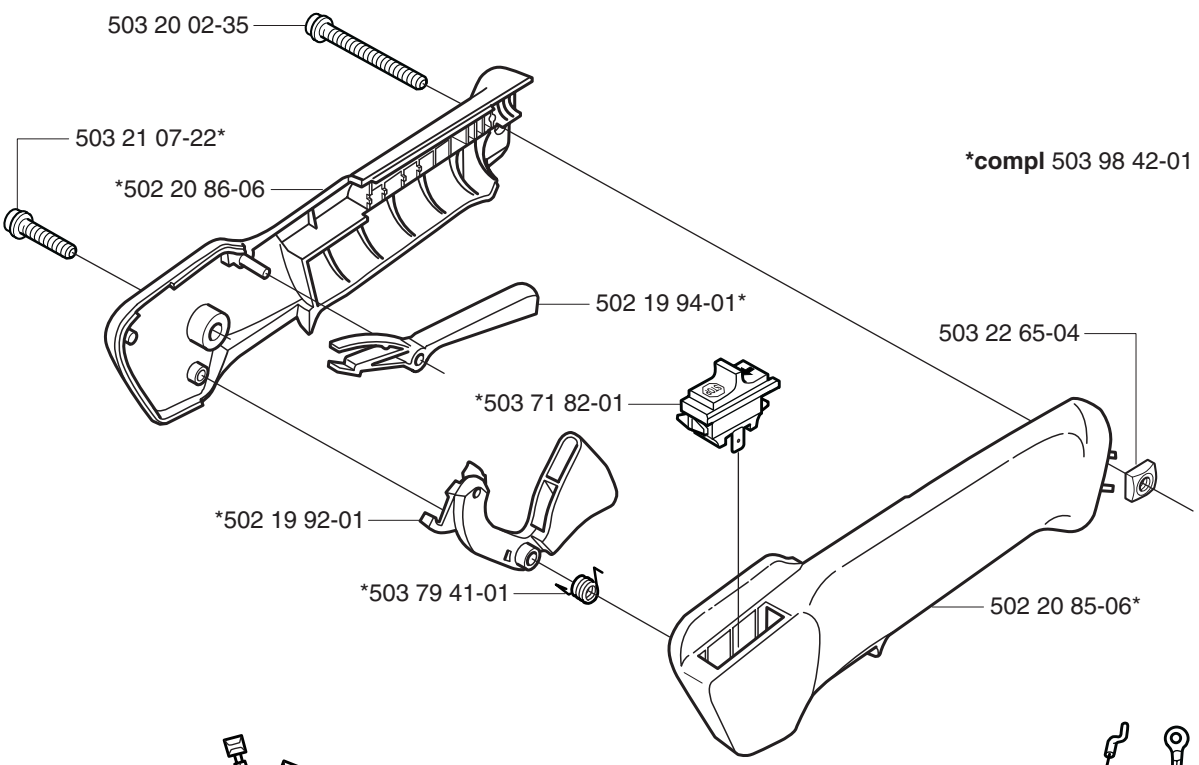
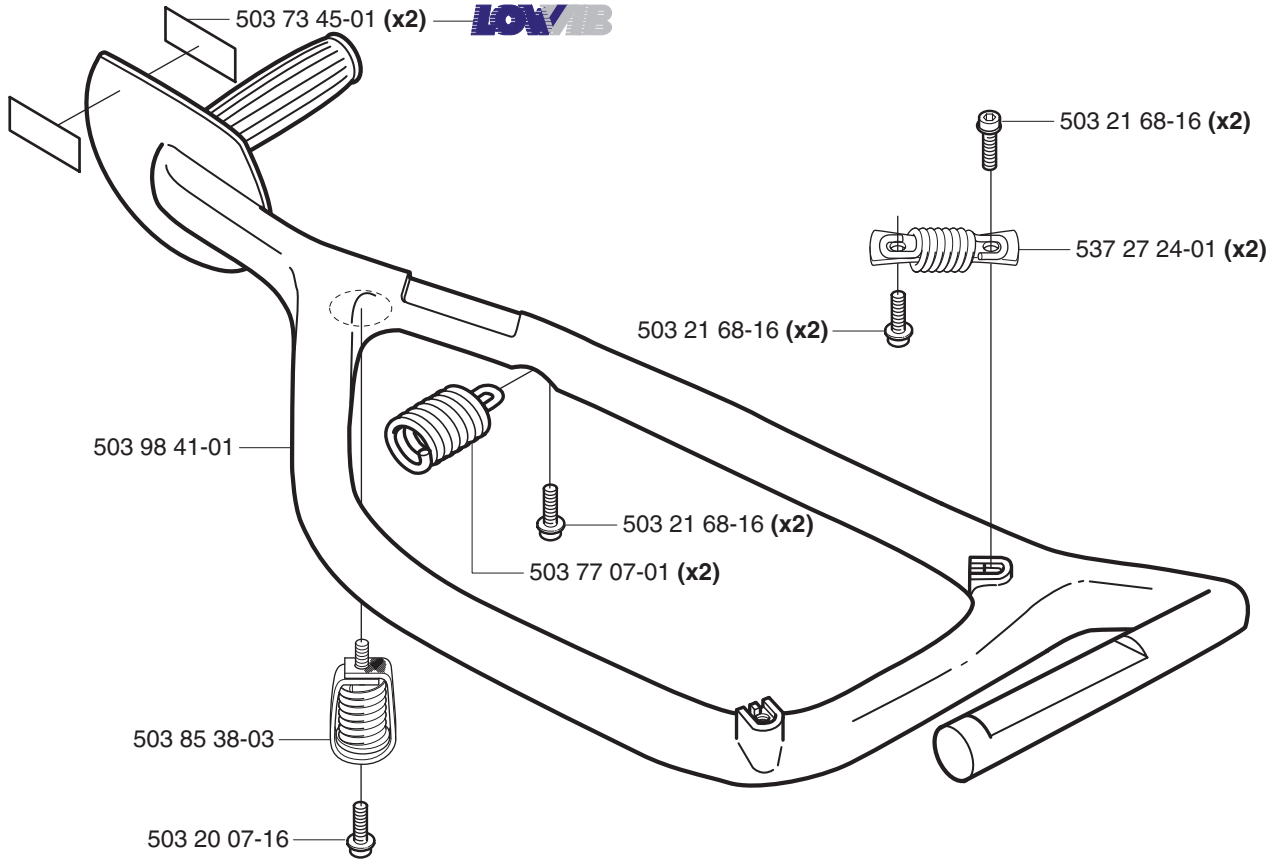
K

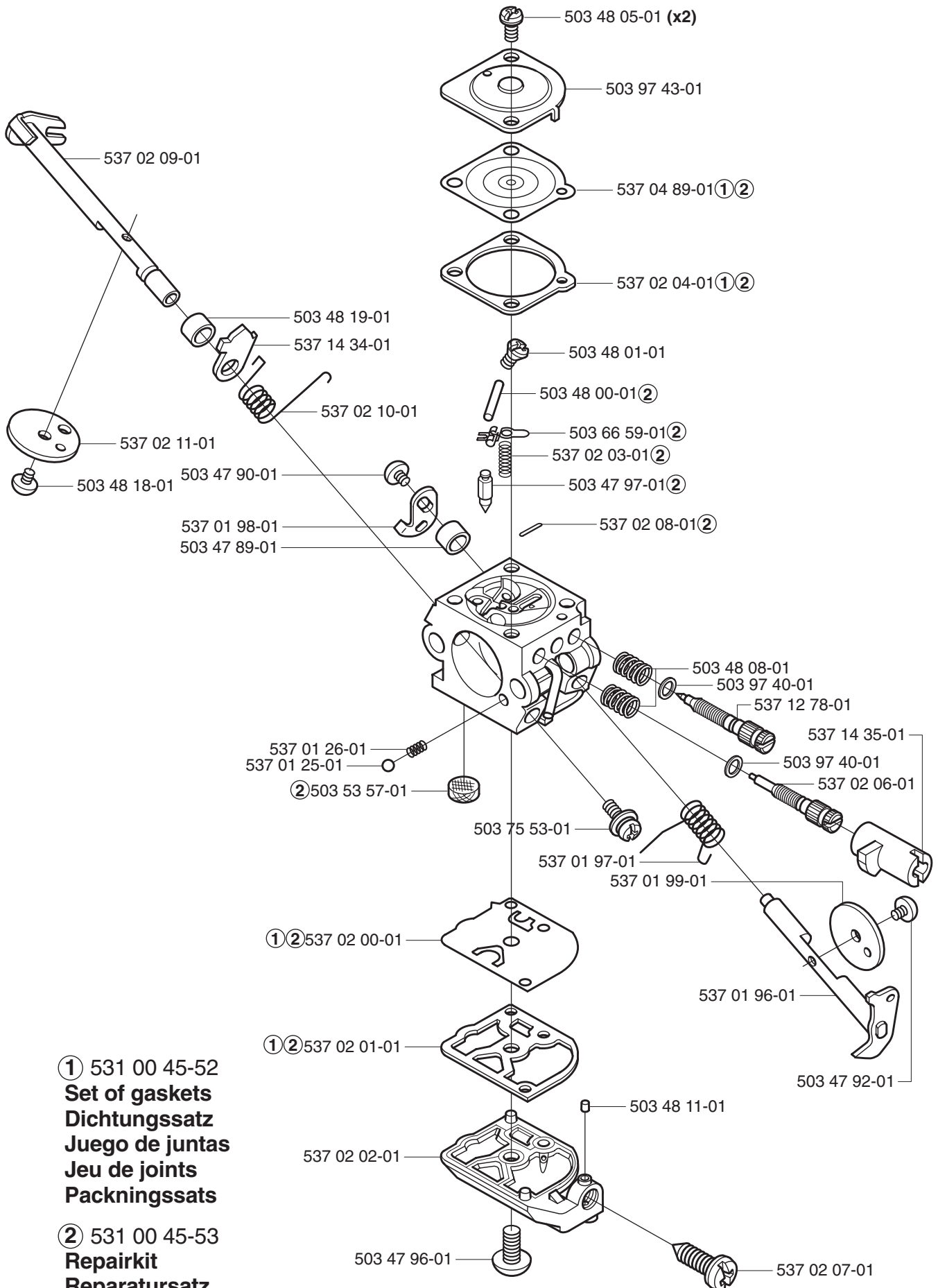
*compl 537 06 74-73



L

503 73 45-01 (x2) **LOVIB**





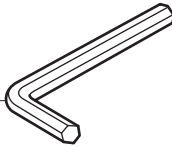
① 531 00 45-52
Set of gaskets
Dichtungssatz
Juego de juntas
Jeu de joints
Packningssatz

② 531 00 45-53
Repairkit
Reparatursatz
Juego de reparación
Kit de réparation
Reparationssatz

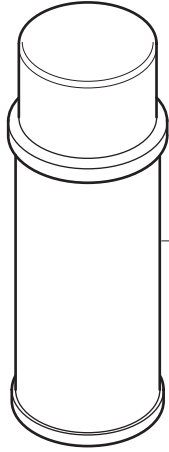
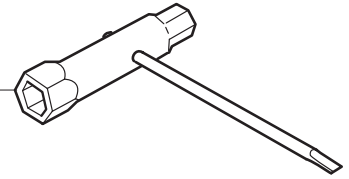
N Accessories
Zubehöre
Accessoires
Acessorios
Tillbehör

*compl 502 21 60-09

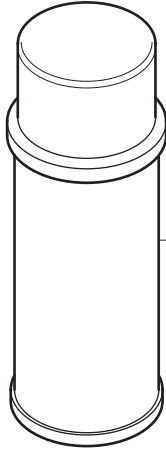
*502 21 58-01



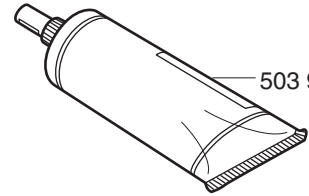
*501 69 17-01



531 00 75-13 **UL22**

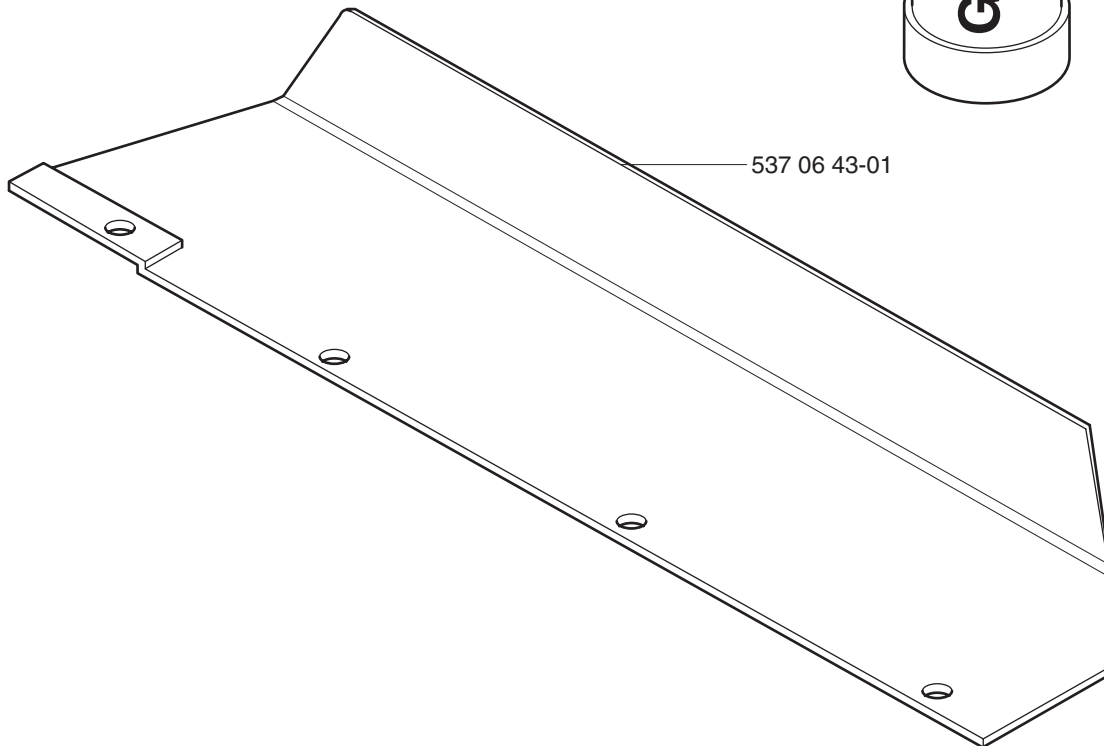


531 00 75-12 **UL21**



503 98 96-01*

531 00 92-05



537 06 43-01